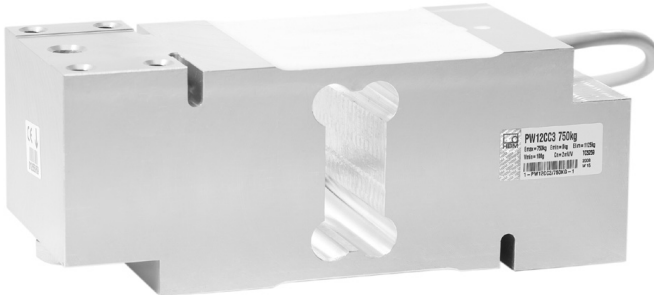


PW12C...

Single point load cells

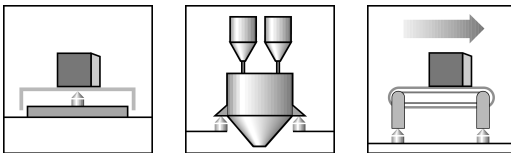
Special features



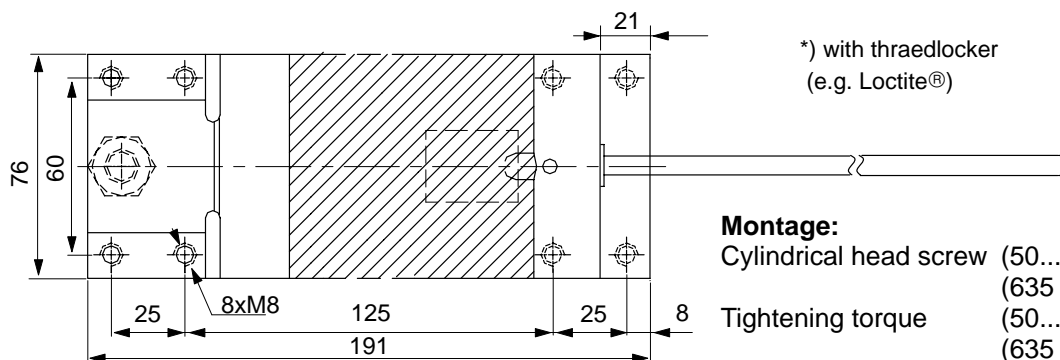
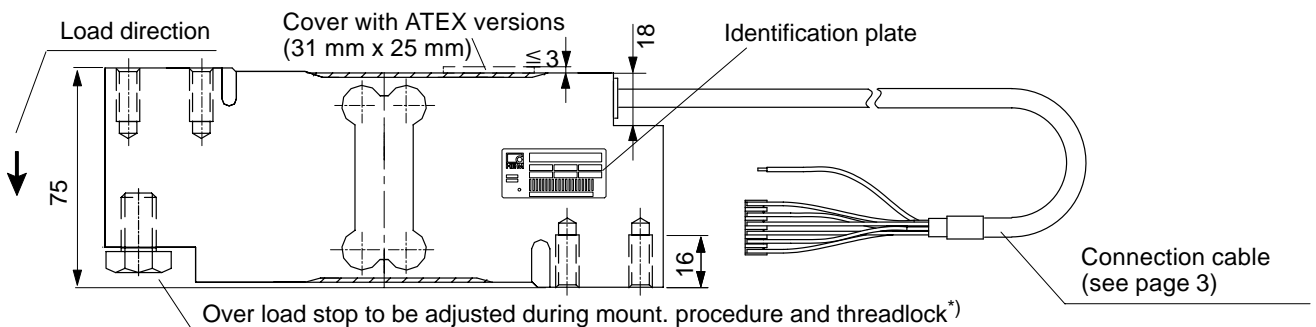
- OIML-R60 approval
- Max. Capacities: 50 kg...750 kg
- Off center load compensated (OIML R76)
- Meets EMC standards (EN 45 501)
- 6-wire circuit

Optional:

- Reduced minimum LC verification interval (v_{min}) for multi range applications
- Explosion-proof versions
- Different cable lengths
- Aligned output, suitable for connection in parallel



Dimensions (in mm; 1 mm = 0.03937 inches)



Montage:

Cylindrical head screw	(50...500 kg):	M8-10.9
	(635 kg; 750 kg):	M8-12.9
Tightening torque	(50...500 kg):	35 N·m
	(635 kg; 750 kg):	42 N·m

Specifications

Type	PW12C...										
Accuracy class ¹⁾	C3; C3MR										
Number of load cell intervals (n _{LC})	3000										
Maximum capacity (E _{max}) ²⁾	kg	50	75	100	150	200	250	300	500	635	750
Minimum LC verification interval (v _{min})											
Accuracy class C3	g	10	10	20	20	50	50	50	100	100	100
Temperature effect on zero balance (TK ₀)											
Accuracy class C3	% v. C _n / 10 K	± 0.0280	± 0.0186	± 0.0280	± 0.0186	± 0.0350	± 0.0280	± 0.0233	± 0.0280	± 0.0221	± 0.0186
Minimum LC verification interval (v _{min})											
Accuracy class C3MR	g	5	5	10	10	20	20	20	50	50	50
Temperature effect on zero balance (TK ₀)											
Accuracy class C3MR	% v. C _n / 10 K	± 0.0140	± 0.0093	± 0.0140	± 0.0093	± 0.0140	± 0.0112	± 0.0093	± 0.0140	± 0.0110	± 0.0093
Max. platform size	mm	800 x 800									
Sensitivity (C _n)		2.0 ± 0.2 (Option 6: A = 2mV/V ± 0.1%)									
Zero balance	mV/V	0 ± 0.1									
Temperature effect on sensitivity (TK _C) ³⁾											
Temperature range	% of C _n / 10 K										
+20 ... +40 °C [+68 ... +104 °F]		± 0.0175									
-10 ... +20 °C [+14 ... +68 °F]		± 0.0117									
Hysteresis error (d _{hy}) ³⁾		± 0.0166									
Non-linearity (d _{lin}) ³⁾		± 0.0166									
Minimum dead load output return (DR)		± 0.0166									
Off center load error ⁴⁾		± 0.0233									
Input resistance (R _{LC})		300 ... 500									
Output resistance (R ₀)	Ω	330 ... 430 (Option 6: A = 410 Ω ± 0.2 Ω)									
Reference excitation voltage (U _{ref})		5									
Nominal range of excitation voltage (B _U)	V	15									
Max. excitation voltage		15									
Insulation resistance (R _{is}) at 100 V _{DC}	GΩ	> 2									
Nominal temp. range (B _T)		-10 ... +40 [+14 ... +104]									
Service temp. range (B _{tu})	°C	-10 ... +50 [+14 ... +122]									
Storage temp. range (B _{tl})	[°F]	-25 ... +70 [-13 ... +158]									
Safe load limit (E _L), at max. 100mm eccentricity	% of E _{max}	150									
Lateral load limit (E _{lq}), static	% of E _{max}	300									
Breaking load (E _d)		300									
Deflection at E _{max} (s _{nom}), approx.	mm	< 0.5									
Weight (G), approx.	kg	2.4									
Protection class according to EN 60 529 (IEC 529)		IP67									
Material: Measuring element		Aluminum									
Coating		Silicone rubber									
Cable sheath		PVC									

1) In accordance to OIML-R60 with P_{LC} = 0.7

2) Max. eccentric load according to OIML R76

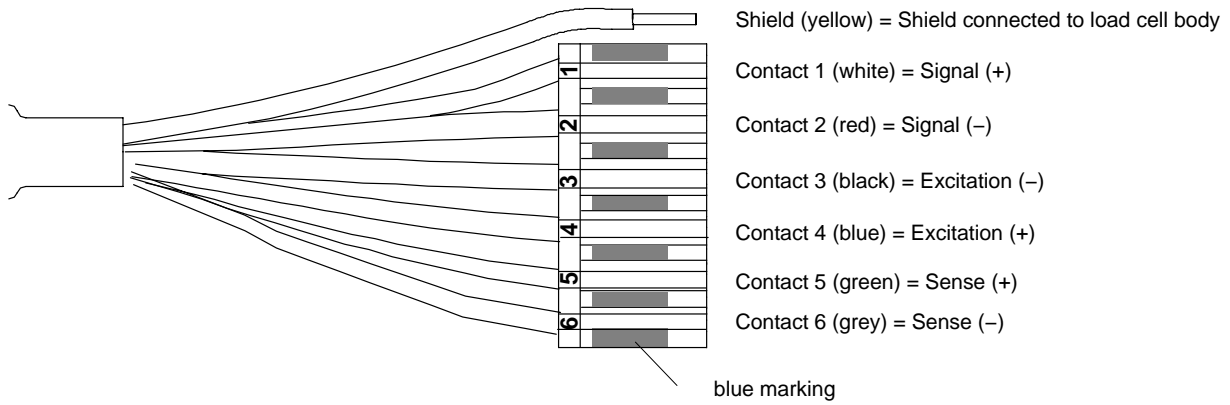
3) The sum of data for Non-linearity, Hysteresis error and TC Span meets the requirements of OIML R60

4) Eccentric error according to OIML R76

Wiring code

Connection with 6 wire cable (selectable cable length: 1.5 m; 3 m; 6 m, 12 m)

Detailed description of the Pancon plug (CE100F26-6), 6-pole





Ordering codes

PW12C... (Aluminum)

Type	PW12C	
Accuracy	C3 (OIML)	
Note	Cable length 3m (6 wire)	
Capacity	Order no.	
50kg	1-PW12CC3/50KG-1	
75kg	1-PW12CC3/75KG-1	
100kg	1-PW12CC3/100KG-1	
150kg	1-PW12CC3/150KG-1	
200kg	1-PW12CC3/200KG-1	
250kg	1-PW12CC3/250KG-1	
300kg	1-PW12CC3/300KG-1	
500kg	1-PW12CC3/500KG-1	
635kg	1-PW12CC3/635KG-1	
750kg	1-PW12CC3/750KG-1	

K-PW12C-... (Aluminum), optional versions

Order no.	
K-PW12C	
Code	Option 1: Mechanical version
N	Standard
Code	Option 2: Accuracy
C3	C3 (OIML)
MR	C3-MR (OIML)
Code	Option 3: Capacity
50	50kg
75	75kg
100	100kg
150	150kg
200	200kg
250	250kg
300	300kg
500	500kg
635	635kg
Code	Option 4: Ex protection
N	non Ex
1+21	ATEX Zone 1 + 21 and FM 
2+22	ATEX Zone 2 + 22 (non-conductive dust) 
Code	Option 5: Cable length
1.5	1.5m
3	3m
6	6m
12	12m
Code	Option 6: Miscellaneous
N	without
A	2mV/V ±0.1% / 410 Ohms ±0.2 Ohms (aligned output, suitable for connection in parallel)
K-PW12C - N - <input type="checkbox"/> - <input type="checkbox"/> - <input type="checkbox"/> - <input type="checkbox"/> - <input type="checkbox"/> - <input type="checkbox"/>	

Modifications reserved.

All details describe our products in general form only. They are not to be understood as express warranty and do not constitute any liability whatsoever.

B2188-3.0 en

Hottinger Baldwin Messtechnik GmbH

Im Tiefen See 45, D-64293 Darmstadt, Germany
 Tel.: +49 6151 803-0 Fax: +49 6151 803 9100
 Email: support@hbm.com Internet: www.hbm.com



measurement with confidence