

SP8...

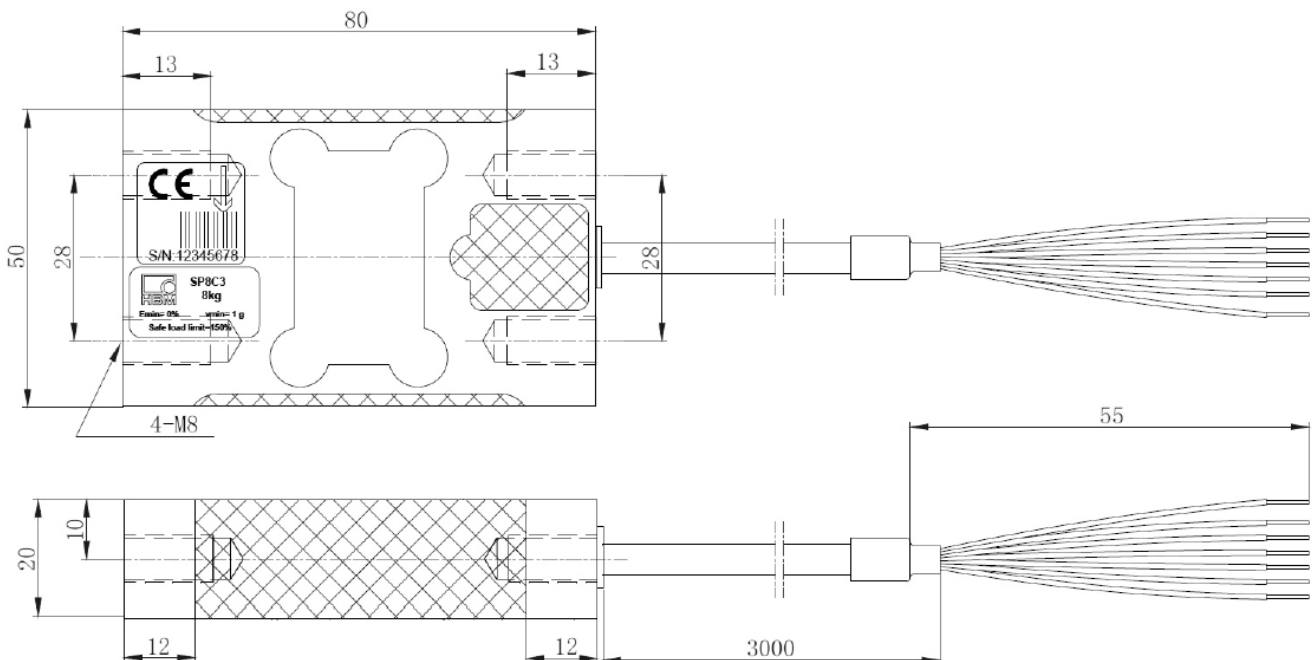
Single point load cell

Special features

- Maximum capacities 5 kg ... 100 kg
- Aluminum
- High ratio of minimum verification interval Y
- Off-center load compensation
- Shielded connection cable



Dimensions in mm (1 mm = 0.03937 inches)



Type			SP8...					
Accuracy class ¹⁾			C3					
Number of load cell verification intervals	n _{LC}		3000					
Maximum capacity	E _{max}	kg	5	8	15	30	50	100
Minimum load cell verification interval	v _{min}	g	0.5	1	2	5	5	10
Maximum platform size		mm	360 x 360			380 x 380		
Nominal sensitivity	C _n	mV/V	2.0 ± 0.2					
Zero signal (without initial load)		mV/V	0 ± 0.2					
Temperature coefficient of zero signal per 10 K	TC ₀	% of C _n	±0.0140	±0.0175	±0.0186	±0.0233	±0.0140	
Ratio of minimum verification interval Y	Y		10,000	8,000	7,500	6,000	10,000	
Temperature coefficient of sensitivity +20 ... +40 °C -10 ... +20 °C	TC _S	% of C _n /10 K	±0.0175 ±0.0117					
Relative reversibility error	d _{hy}	% of C _n	±0.0150					
Non-linearity	d _{lin}		±0.0150					
Load creep in 30 minutes	d _{cr}		±0.0166					
Off-center load error			±0.0233					
Input resistance	R _{LC}	Ω	300 ... 500					
Output resistance	R ₀		300 ... 500					
Reference excitation voltage	U _{ref}	V	5					
Nominal (rated) range of the excitation voltage	B _U		1 .. 12					
Maximum excitation voltage			15					
Insulation resistance at 100 V _{DC}	R _{is}	GΩ	>2					
Nominal (rated) range of the ambient temperature	B _T	°C	-10 ... +50					
Operating temperature range	B _{tu}		-10 ... +60					
Storage temperature range	B _{tl}		-25 ... +70					
Service load	E _{lq}	% of E _{max}	150					
Breaking load	E _d		300					
Rated displacement at E _{max} , approx.	s _{nom}	mm	<0.2					
Resonance frequency, approx.		Hz	330	420	620	920	1220	1720
Material			Aluminum					
Degree of protection ²⁾			IP67					

1) Not certified to OIML R60

2) Per EN 60 529 (IEC529)

Subject to modifications.
All product descriptions are for general information only. They are not to be understood as a guarantee of quality or durability.

Hottinger Baldwin Messtechnik GmbH
Im Tiefen See 45 · 64293 Darmstadt · Germany
Tel. +49 6151 803-0 · Fax +49 6151 803-9100
E-mail: info@hbm.com · www.hbm.com

measure and predict with confidence

