

# PW10A...

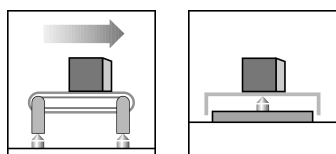
## Single point load cells

### Special features

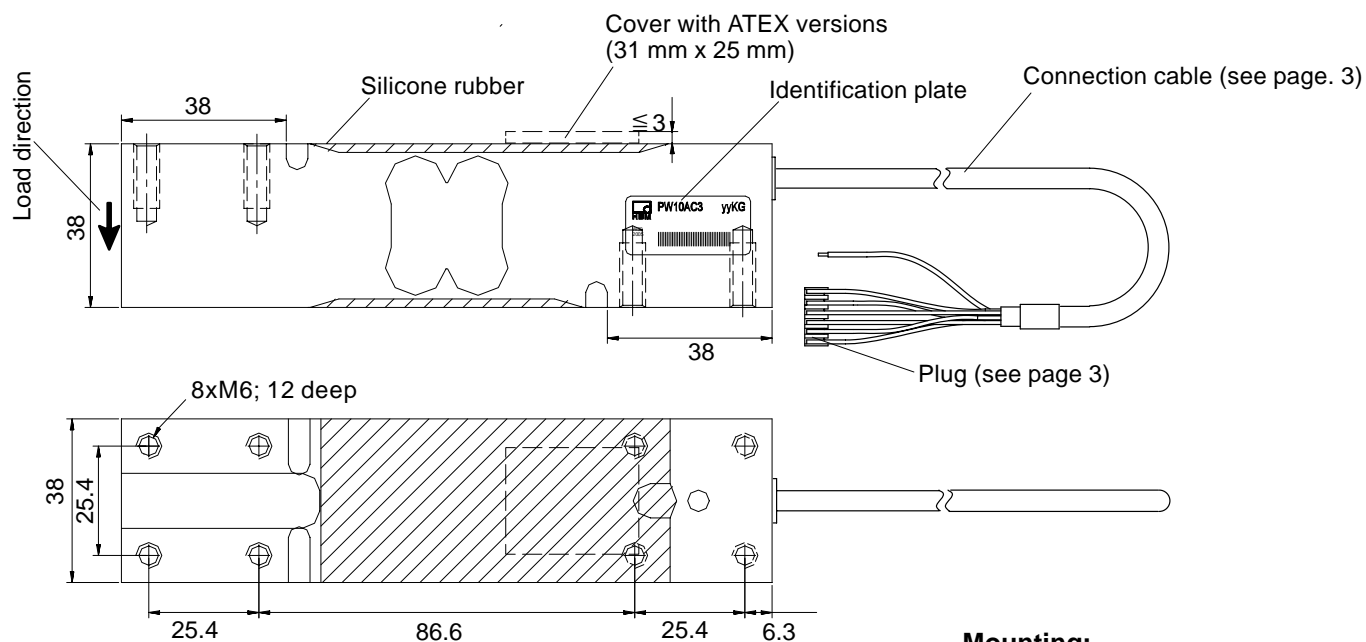
- OIML-R60 approval
- Max. capacities: 50 kg ... 300 kg
- Off center load compensated (OIML R76)
- Meets EMC standards (EN 45 501)
- Shielded connection cable
- 6-wire circuit

### Optional:

- Reduced minimum LC verification interval ( $v_{min}$ ) for multi range applications
- Explosion proof versions
- different cable lengths
- Aligned output, suitable for connection in parallel



### Dimensions (in mm; 1 mm = 0.03937 inches)



**Mounting:**  
 Socket head cap screws M6-10.9  
 Tightening torque: 14 N·m

## Specifications

Type	PW10A...						
Accuracy class <sup>1)</sup>	C3, C3MR						
Number of load cell intervals (n <sub>LC</sub> )	3000						
Maximum capacity (E <sub>max</sub> )	kg	50	100	150	200	250	300
Minimum LC verification interval (v <sub>min</sub> ), (Accuracy class C3)	g	10	20	20	50	50	50
Temperature effect on zero balance (TK <sub>0</sub> ), (Accuracy class C3)	% of C <sub>n</sub> / 10 K	±0.0280	±0.0280	±0.0186	±0.0350	±0.0280	±0.0233
Minimum LC verification interval (v <sub>min</sub> ), (Accuracy class C3MR)	g	5	10	10	20	20	20
Temperature effect on zero balance (TK <sub>0</sub> ), (Accuracy class C3MR)	% of C <sub>n</sub> / 10 K	±0.0140	±0.0140	±0.0093	±0.0140	±0.0112	±0.0093
Max. platform size	mm	600 x 500					
Sensitivity (C <sub>n</sub> ) <sup>2)</sup>	mV/V	2.0 ±0.2 (Option 6: A = 2 mV/V ±0.1 %)					
Zero balance		0 ±0.1					
Temperature effect on sensitivity (TK <sub>C</sub> ) <sup>3)</sup> Temperature range: +20 ... +40 °C [+70 ... +105 °F] -10 ... +20 °C [+15 ... +70 °F]	% of C <sub>n</sub> / 10 K	±0.0175 ±0.0117					
Hysteresis error (d <sub>hy</sub> ) <sup>3)</sup>	% of C <sub>n</sub>	±0.0166					
Non-linearity (d <sub>lin</sub> ) <sup>3)</sup>		±0.0166					
Minimum dead load output return (DR)		±0.0166					
Off center load error <sup>4)</sup>		±0.0233					
Input resistance (R <sub>LC</sub> )	Ω	300 ... 500					
Output resistance (R <sub>0</sub> )		330 ... 430 (Option 6: A = 410 Ω ±0.2 Ω)					
Reference excitation voltage (U <sub>ref</sub> )	V	5					
Nominal range of excitation voltage (B <sub>U</sub> )		0 ... 12					
Max. excitation voltage		15					
Insulation resistance (R <sub>is</sub> ) at 100 V <sub>DC</sub>		> 2					
Nominal temperature range (B <sub>T</sub> )	°C [°F]	-10 ... +40 [+14 ... +104]					
Service temperature range (B <sub>tu</sub> )		-10 ... +50 [+14 ... +122]					
Storage temperature range (B <sub>l</sub> )		-25 ... +70 [-13 ... +158]					
Safe load limit (E <sub>L</sub> ) at max. eccentricity	% of E <sub>max</sub> mm	150 150					
Lateral load limit (E <sub>lq</sub> ), static	%	300					
Breaking load (E <sub>d</sub> )	of E <sub>max</sub>	300					
Deflection at E <sub>max</sub> (s <sub>nom</sub> ), approx.		<0,5					
Weight (G), approx.		0,6					
Protection class accord. to EN 60 529 (IEC 529)		IP67					
Material: Measuring element Coating Cable sheath		Aluminum Silicone rubber PVC					

1) In accordance to OIML-R60 with P<sub>LC</sub> = 0.7

2) Max. eccentric load according to OIML R76

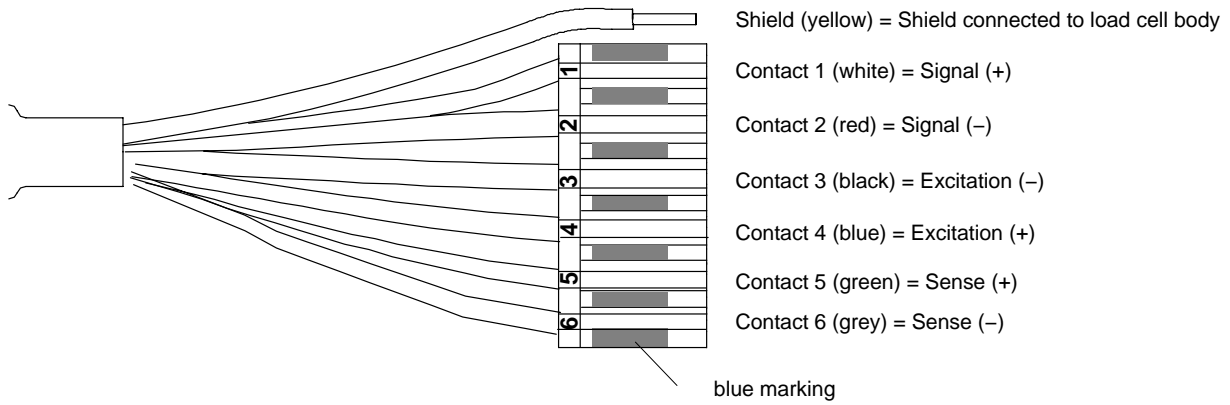
3) The sum of data for Non-linearity, Hysteresis error and TC Span meets the requirements of OIML R60.

4) Eccentric error according to OIML R76 class.

## Wiring code

Connection with 6 wire cable (selectable cable length: 1.5 m; 3 m; 6 m, 12 m)

Detailed description of the Pancon plug (CE100F26-6), 6-pole





## Ordering codes

### PW10A... (Aluminum)

Type	PW10A	
Accuracy	C3 (OIML)	
Note	Cable length 3m (6 wire)	
Capacity	Order no.	
50kg	1-PW10AC3/50KG-1	
100kg	1-PW10AC3/100KG-1	
150kg	1-PW10AC3/150KG-1	
200kg	1-PW10AC3/200KG-1	
250kg	1-PW10AC3/250KG-1	
300kg	1-PW10AC3/300KG-1	

### K-PW10A... (Aluminum), optional versions [ !!! ]

Order no.		
<b>K-PW10A</b>		
Code	Option 1: Mechanical version	
<b>N</b>	-	
Code	Option 2: Accuracy	
<b>C3</b>	C3 (OIML)	
<b>MR</b>	C3-MR (OIML)	
Code	Option 3: Capacity	
<b>50</b>	50kg	
<b>100</b>	100kg	
<b>150</b>	150kg	
<b>200</b>	200kg	
<b>250</b>	250kg	
<b>300</b>	300kg	
Code	Option 4: Ex protection	
<b>N</b>	non Ex	
<b>1+21</b>	ATEX Zone 1 + 21 [ only with Option 6 = N ]	
<b>2+22</b>	ATEX Zone 2 + 22 (non-conductive dust) [ only with Option 6 = N ]	
Code	Option 5: Cable length	
<b>1.5</b>	1.5m	
<b>3</b>	3m	
<b>6</b>	6m	
<b>12</b>	12m	
Code	Option 6: Miscellaneous	
<b>N</b>	without	
<b>A</b>	2mV/V ±0.1% / 359 Ohms ±0.3 Ohms [ only with Option 4 = N ] (aligned output, suitable for connection in parallel)	
K-PW10A - <b>N</b> - [ ] - [ ] - [ ] - [ ] - [ ] - [ ]		

[ !!! ]: Not all codes can be combined with each other. Please take heed of the terms in the square brackets!

Modifications reserved.

All details describe our products in general form only. They are not to be understood as express warranty and do not constitute any liability whatsoever.

**Hottinger Baldwin Messtechnik GmbH**

Im Tiefen See 45, D-64293 Darmstadt, Germany  
Tel.: +49 6151 803-0 Fax: +49 6151 803 9100  
Email: support@hbm.com Internet: www.hbm.com



measurement with confidence